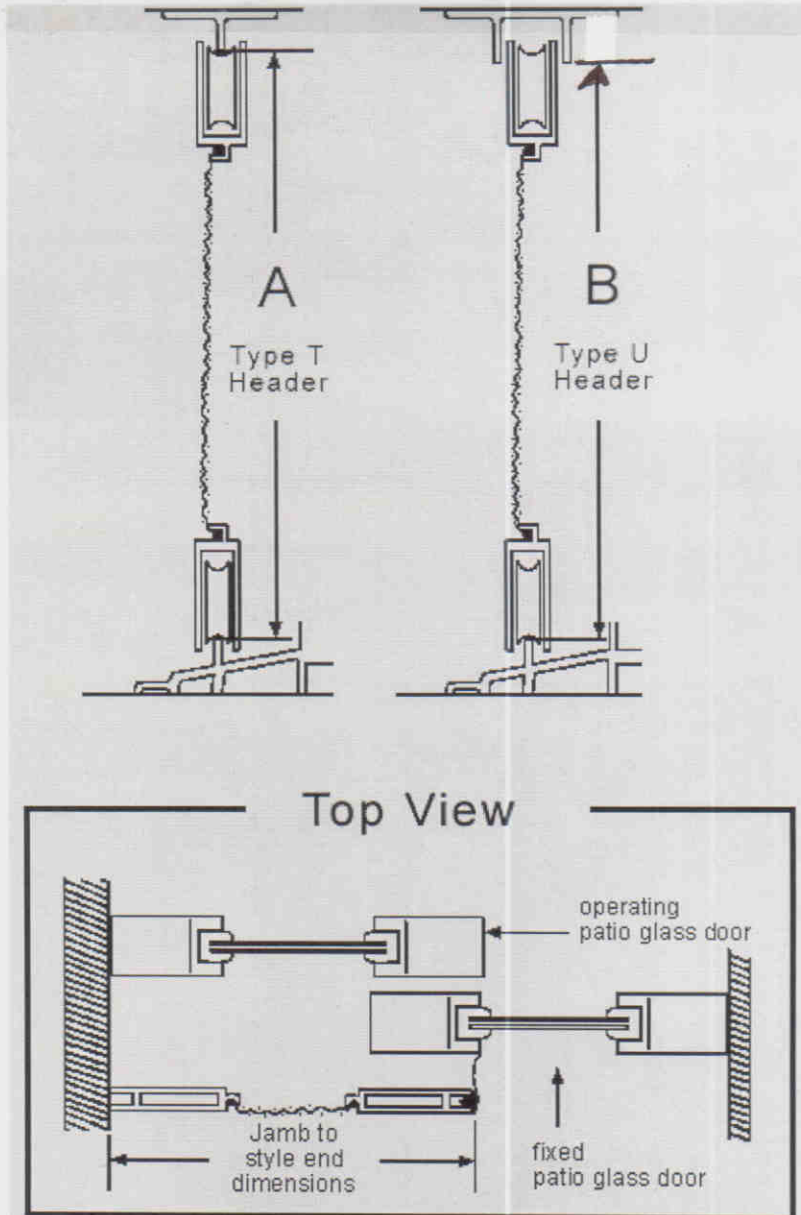


Measure a Patio Screen Sliding Door



Measurements of actual door, (if possible): _____ x _____

Jam to style end dimension: _____

For type "T" header:

Clear opening dimension "A" _____ (to nearest 1/8")

For type "U" header:

Clear opening dimension "B" _____ (to nearest 1/8")

"A" + 3/8" = Door Height FOR EITHER OPTION, TOP HEADER TRACK

"B" + 3/8" = Door Height MUST BE AT LEAST 7/16" DEEP

FOR PROPER INSTALLATION CLEARANCE

** THESE ARE SUGGESTIONS ONLY.
WILL NOT WORK IN ALL CASES.*